

Hitachi IPv6 activity and GR2000

Munechika SUMIKAWA
Hitachi, Ltd. & KAME Project
sumikawa@sumikawa.jp

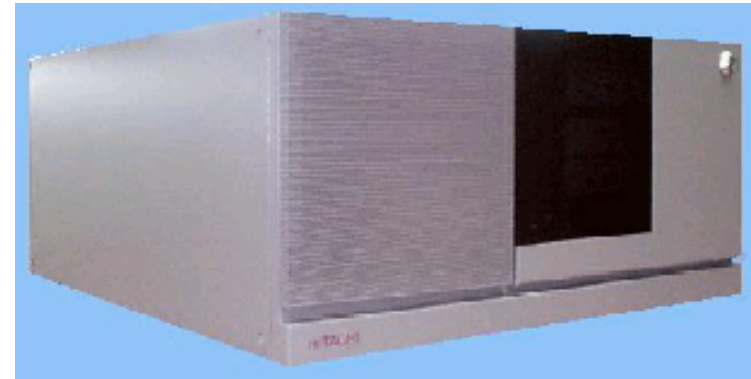
IPv6 and Hitachi

- Started developing IPv6 since 1995
 - Homebrew stack on BSD/OS(--> NR60)
- Joined to KAME Project(Apr/1998)
- Hitachi IPv6 products
 - Client
 - Toolnet6
 - Router
 - NR60
 - GR2000

Toolnet6 and NR60

■ NR60

- PC based software router (homebrewed codes)
- Shipped in Mar/1997
- Implemented several experimental features.
 - IPsec, IKE and translator(ported to Toolnet6)

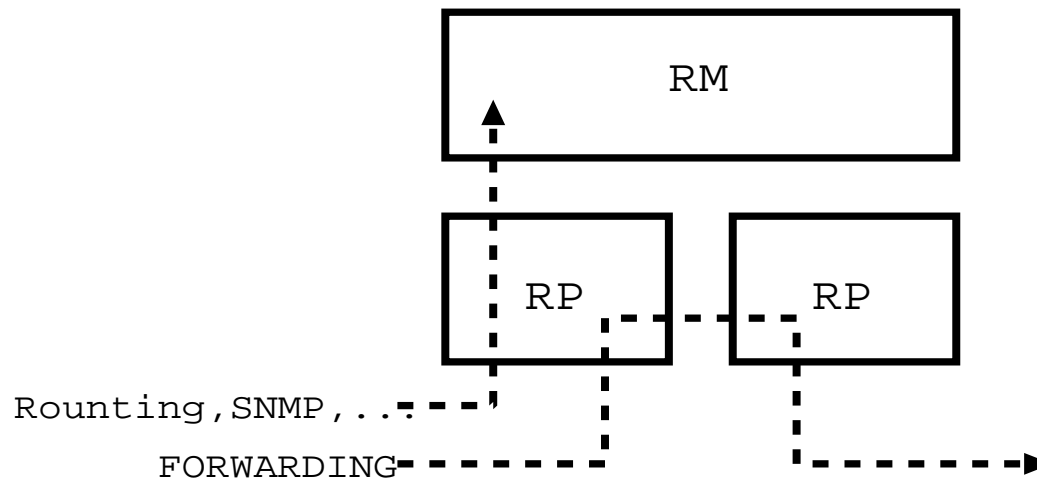


■ Toolnet6

- Migration tool from IPv4 to IPv6
- Self-translator using the Bump-In-the-Stack technique
 - "draft-ietf-ngtrans-bis-00.txt"
- Free software
 - works on Windows 98/NT

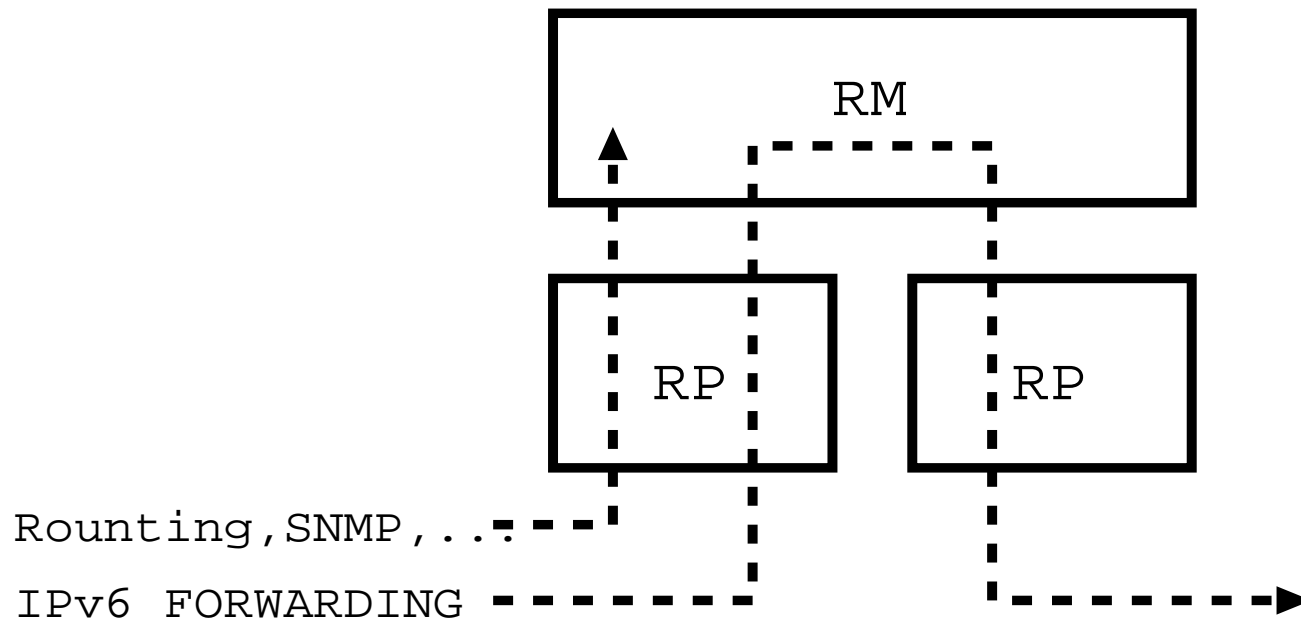
GR2000

- IPv4 router
- Distributed architecture
 - Routing Manager (BSD/OS on AMD K6-2)
 - Easily porting software (rouing daemon, SNMP, httpd)
 - Routing Processor
 - Customed LSI(forwarding engine/routing looking up LSI)
 - Fast forwarding/filtering/diffserv by hardware



KAME on GR2000

- Ported KAME on GR2000
 - On Routing Manager
 - IPv6 forwarding by software now
 - Supporting several interfaces
 - Ethernet/Gigabit Ethernet/ATM/POS/Serial



Future Plans

- Operation in worldwide 6bone
 - One of routers in this network
 - Fixed "src mac address is all zero" bugs in this meeting
- First beta release on 2Q/2000
- IPv6 forwarding by hardware

